



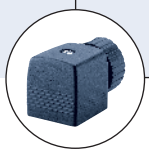


3/2-way Solenoid Valve for gases and liquids



- 3/2-way solenoid valve with manual override
- Seat valve with servo-piston, enlarged outlet
- Circuit function NC or NO
- For neutral gases and liquids
- Pivoted armature pilot drive, media-separated
- Approvals:    

Type 0340 can be combined with...



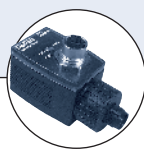
Type 2508

Cable plug



Type 1078

Timer unit



Type 2511

ASI cable plug



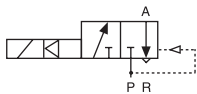
Type 8600

Dosing control

The pilot-controlled 3/2-way solenoid valve Type 0340 with smoothly operating servo-piston requires a differential pressure of 7 PSI for complete opening and closing. A diaphragm separates the operating medium from the drive. It can be used in many ways, even for dry running.

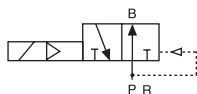
Manual override as standard.

Circuit function C



3/2-way valve, when de-energized outlet port A exhausted, with 3-way pilot control

Circuit function D



3/2-way valve, when de-energized outlet port B pressurized, with 3-way pilot control

Technical data

Orifice	5/16 – 1" (DN 8.0 – 25 mm)
Body material	Brass
Seal material	NBR
Media	Neutral media Compressed air, water, hydraulic oil
Media temperature	32°F to 194°F (0°C to +90°C)
Ambient temperature	Max. 131°F (+55°C)
Viscosity	Max. 21 cst
Voltage tolerance	±10%
Duty cycle	100% continuous rating
Electrical connection	DIN 43650 Form A
Protection class	IP 65 with cable plug Type 2508 or 2509
Installation	As required, preferably with actuator upright
Flow rate C _v value water [GPM]	measured at 68°F (+20°C), 14.5 PSI (1 bar) pressure at valve inlet and free outlet
Pressure values [bar]	gauge pressures with respect to the prevailing atmospheric pressure
Response times [ms]	measured with water at valve outlet at 87 PSI (6 bar) and 68°F (+20°C)
Opening	pressure build-up 0 to 90%
Closing	pressure decay 100 to 10%

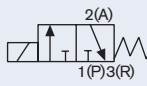
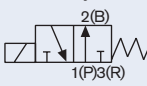
Technical data

Orifice [mm]	C _v value Water P→A [GPM]	Port connection A/B und P	Pressure range [PSI]	Power consumption				Response times		Weight [kg]
				Inrush AC [VA]	DC [W]	Hold AC [VA/W]	DC [W]	Opening [ms]	Closing [ms]	
8	1.1	NPT 1/4	7 – 232	30	8	15/8	8	25	25	1.0
12	2.7	NPT 3/8	7 – 232	30	8	15/8	8	30	30	1.2
12	3.0	NPT 1/2	7 – 232	30	8	15/8	8	30	30	1.2
20	7.7	NPT 3/4	7 – 232	30	8	15/8	8	40	40	2.2
25	11.7	NPT 1	7 – 145	30	8	15/8	8	70	70	2.7

Port R is one orifice size larger than the ports A/B and P (see Dimensional Table). As a result, the flow A→R is increased by the factor 1.5 to 2 over the value in the table.

Ordering chart for valves (other versions on request)

All valves with manual override, brass body, NBR seal and cable plug

Circuit function	Orifice [mm]	Port connection P, A/B	Port connection R	C _v value water P → A [GPM]	Pressure range* [PSI]	Voltage/frequency [V/Hz]	Item no. CE Approval only	Item no. UL listed / FM Class 1, Div 2 / CSA / CE Includes 1/2" conduit plug Type 2509
C 3/2-way valve NC 	8.0	NPT 1/4	3/8	1.1	7 – 232	024/DC	451 767	453 286
	12	NPT 3/8	3/4	2.7	7 – 232	120/60	450 881	US01599
						024/60	451 913	–
		NPT 1/2	3/4	3.0	7 – 232	024/DC	–	453 378
						024/60	451 771	453 290
	20	NPT 3/4	1	7.7	7 – 232	024/DC	450 313	US00981
						024/60	454 084	US01548
		NPT 1	1 1/4	11.7	7 – 145	024/DC	–	461 657
						120/60	450 314	453 296
	25	NPT 1	1 1/4	11.7	7 – 145	024/DC	–	461 657
120/60						450 315	453 300	
NPT 1		1 1/4	11.7	7 – 145	024/DC	–	461 657	
					120/60	450 315	453 300	
D 3/2-way valve NO 	8.0	NPT 1/4	3/4	1.1	7 – 232	120/60	450 882	–
	12	NPT 3/8	3/4	2.7	7 – 232	120/60	–	454 091
	12	NPT 1/2	3/4	3.0	7 – 232	024/DC	–	453 310
						120/60	–	453 312

■ Port R is one orifice size larger than the ports A/B and P (see Dimensional Table). As a result, the flow A→R is increased by the factor 1.5 to 2 over the value in the table.

* Maximum pressure rating for UL listed valves is 174 PSI

i Further versions on request



Voltage

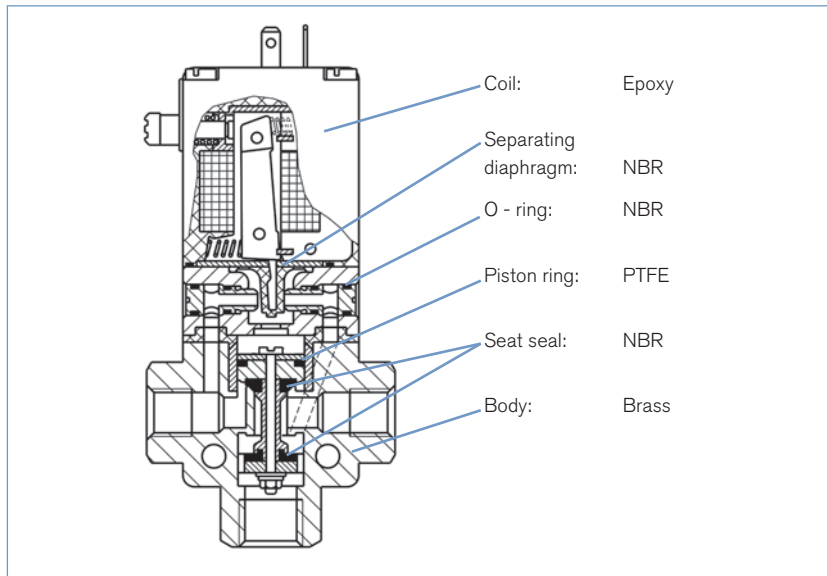
Non-standard voltages (012/DC and 110/50)



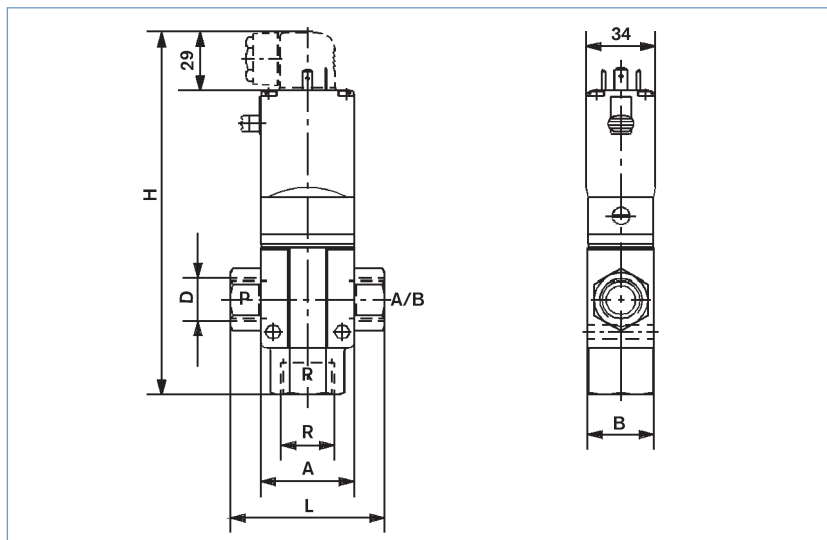
Approvals

ATEX-Ex / UL / UR / CSA

Material



Dimensions [mm]



DN	A	B	D	H	L	R
8	46	33	NPT 1/4	154.5	65	NPT 3/8
12	46	33	NPT 3/8	179.5	76	NPT 3/4
12	46	33	NPT 1/2	179.5	76	NPT 3/4
20	62	52	NPT 3/4	215.5	90	NPT 1
25	82	60	NPT 1	237.5	110	NPT 1 1/4

This dimensional drawing shows a valve in circuit function C with port designations P, R and A/B (see figure on the front page). In circuit function D, the manual override is located above the port connection A/B.