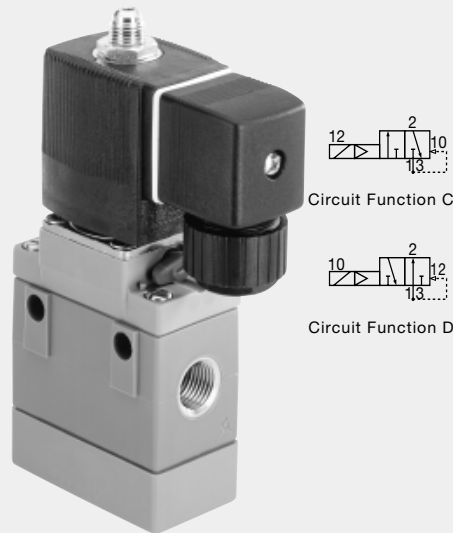


1/4 NPT, Polyamide Body



Circuit Function C

Circuit Function D

The Type 5411 is a servo-assisted 3/2 way valve with a poppet design and normally open or normally closed outlet ports. The poppet chamber is either pressurized or exhausted via a 3/2 way pilot valve. A minimum pressure differential of 14.5 PSI is required to provide reliable switching. The valves can be mounted on single channel manifolds (up to six valves) for convenience.

Process Specification

Materials	
Body	Polyamide (reinforced) with molded-in metal threads
Valve internals	Stainless Steel / Plastic
Sealing	NBR
Fluids	Neutral media, e.g. lubricated or unlubricated compressed air
Temperatures	
Fluid	14°F – 140°F
Ambient	Max. 131°F
Operating voltages	24 V/DC 24 / 110 / 230 V/50-60 Hz
Voltage tolerance	±10%
Duty cycle	100% continuously rated
Electrical connection	Tag connectors according to DIN 43650 A for cable plugs Type 2508 (see accessories)
Rating	IP 65 (with cable plug)
Installation	As required (preferably solenoid system upright)

Flow rate: QNn-value air [l/min]
Measured at 68°F, 87 PSI pressure at valve inlet, 14.5 PSI pressure difference.

Pressure ranges (PSI)
Measured as overpressure to the atmospheric pressure

*) Applied supply pressure must be 14.5 PSI above the pilot pressure of the valve actuator.

Orifice [inch]	QNn value air ¹⁾ [l/min]	Port conn. [NPT]	Electrical power consumption			Response times		Press. range [PSI]	Weight [kg]
			AC inrush [VA]	AC hold [VA]	DC [W]	opening [ms]	closing [ms]		
1/4	900	1/4	11	6	2	50	30	14.5–145	0.3

Burkert Contromatic USA
2602 McGaw Avenue
Irvine, CA 92614
Tel. 949.223.3100
Fax 949.223.3198
www.burkert-usa.com

Burkert Contromatic Inc.
760 Pacific Road, Unit 3
Oakville, Ontario, Canada L6L 6M5
Tel. 905.847.5566
Fax 905.847.9006
www.burkert.ca

Advantages/Benefits

- ▶ Suitable for Manifold Mounting
- ▶ High Flow Rates
- ▶ Manual Override as Standard
- ▶ and approval

Applications

Actuation of large, externally piloted valves



burkert
Fluid Control Systems

Specifications - Ordering Chart (Other Versions on Request) for Type 5411

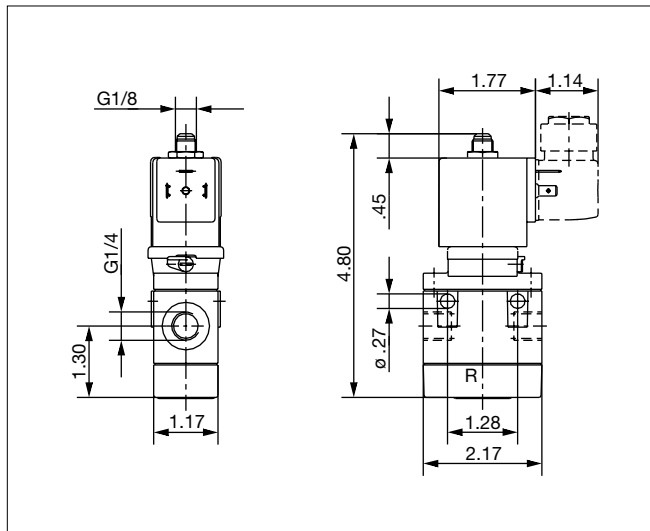
(with standard-cable plug 0-250 V AC/DC)

Circuit function	Orifice [inch]	Port connection [NPT]	Q _{Nn} -value air ¹⁾ [l/min]	Pressure range [PSI]	Voltage / Frequency [V/Hz]	Item-No.
C	1/4	1/4	900	14.5 – 145	024/DC 024/50-60 110/50-60 230/50-60	442 863 W US07317 US07318 US07319
D	1/4	1/4	900	14.5 – 145	024/DC 024/50-60 110/50-60 230/50-60	US07320 US07321 US07322 US07323

Specifications - Ordering Chart for Light Alloy Manifolds

No. of valves	Hole spacing [inch]	Total length [inch]	Item-No.
2	3.03	3.66	005 811 Q
3	4.33	4.96	005 717 Z
4	5.63	6.26	005 843 Y
5	6.93	7.56	005 776 C
6	8.23	8.86	005 718 A

Dimensions [mm]



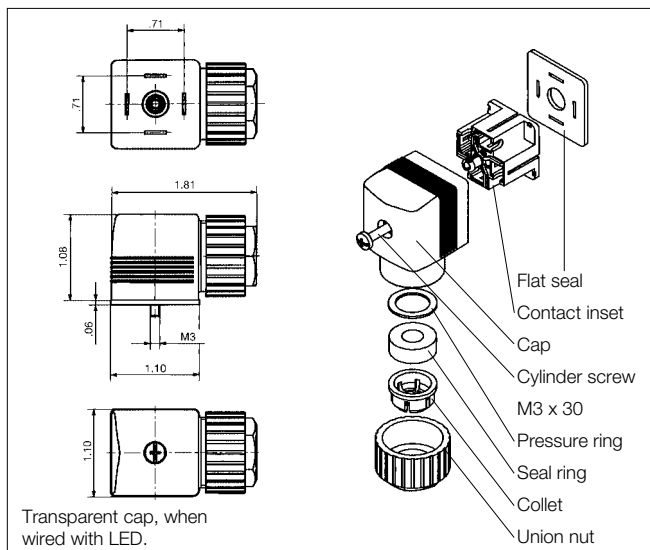
Ordering Chart for Accessories

Device/ Accessory	Features	Item-No.
Cable plugs ¹⁾ Type 2508	Standard cable plug, 0-250 V AC/DC (standard-delivery) ¹⁾ with LED, 12-24 V AC/DC with LED, 100-120 V AC/DC with LED + varistor, 12-24 V AC/DC with LED + varistor, 100-120 V AC/DC with LED + varistor, 200-240 V AC/DC (optional wirings and connection specifications see data sheet Type 2508)	008 376 N 008 360 S 008 361 P 008 367 M 008 368 W 008 369 X

¹⁾ The standard cable plug (0-250 V AC/DC), Order-No. 008 376 N is part of the standard delivery.
Ordering of optional cable plugs with separate item number.

A wide selection of further cable plugs is available
(see data sheet Type 2508)

Dimensions [inch]



In case of special requirements
please consult for advice.

We reserve the right to make technical
changes without notice.

US_5411_07/02