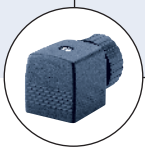


2/2-way Solenoid Valve for neutral media and steam



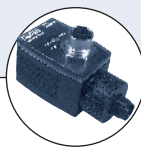
Type 6038 can be combined with...



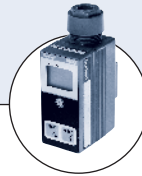
Type 2508
Cable plug
not included






Type 1078
Timer unit



Type 2511
ASI cable plug



Type 8600
Dosing control

- Piston-operated valve with pressure relief
- Switches without differential pressure
- For neutral media and steam
- Temperatures up to 320°F
- Fast switching
- Approvals:   

The Type 6038 valve is a 2/2-way solenoid valve with direct acting switching character, closed by spring force. It is pressure-relieved and switches without differential pressure.

The magnetic core is linked to the seat tube. When the magnetic core is activated, a drilled hole is opened up by a pre-stroke. The core area within the valve is relieved of pressure, and the valve is opened through magnetic force. In the inactive state, the valve is closed by a pressure spring. In doing this, the closing force of the spring is assisted by the pressure of the medium on the magnetic core.

Caution waterhammer danger!

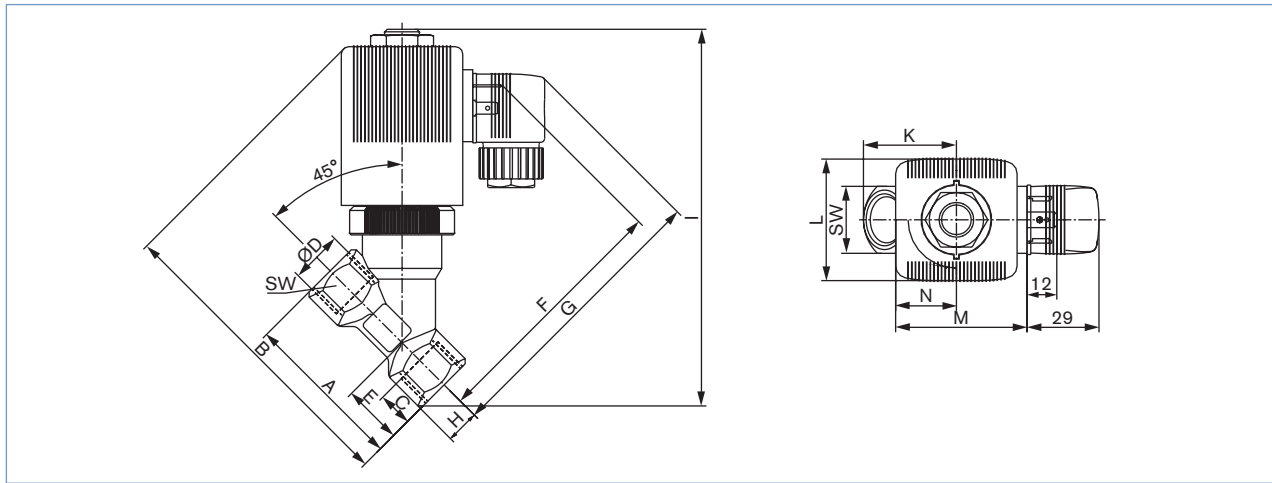
The valves switch very quickly. If liquid media is used with high differential pressures, high pressure peaks (waterhammer) can occur.

Technical data	
Orifice	DN 12
Body material	Gunmetal
Valve internals	Stainless steel and brass
Seal material	PTFE
Media	Neutral media, preferably steam
Media temperature	0 to 320°F (+160°C)
Ambient temperature	Max. 131°F (+55°C)
Operating voltage DN 12 other voltages	24/120/240 V / 60 Hz on request
Voltage tolerance	±10%
Duty cycle	100% continuous rating
Electrical connection	Tag connector sideways acc. DIN EN 175301-803 Form A (for cable plugs Type 2508, see Accessories)
Protection class	IP 65 with cable plug (sold separately)
Installation	As required, preferably with actuator upright
Flow rate C _v value water [GPM]	measured at 68°F (+20°C), 1 PSI pressure at valve inlet and free outlet
Pressure values [bar]	gauge pressures with respect to the prevailing atmospheric pressure
Response times [ms] Opening Closing	measured with water at valve outlet at 85 PSI and 68°F (+20°C) pressure build-up 0 to 90% pressure decay 100 to 10%

Technical data

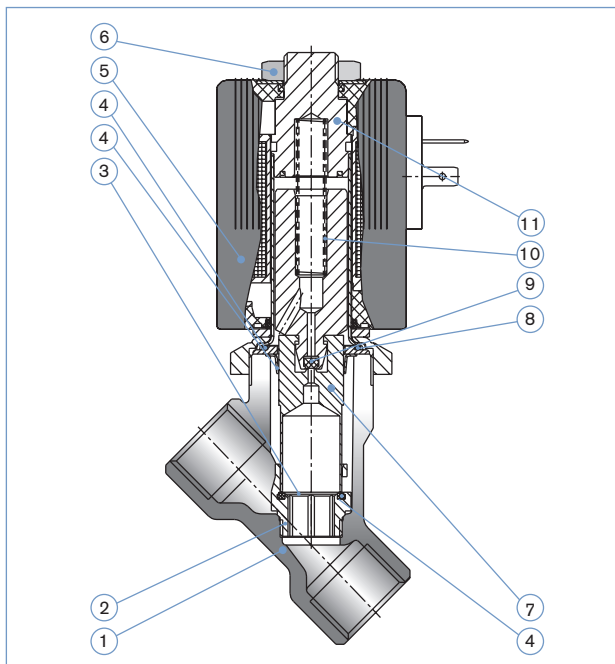
Orifice [mm]	Port connection [inch]	C _v value water [gpm]	Pressure range [bar]	Power consumption		Response times		Weight [kg]
				Inrush [VA]	Hold [VA/W]	Opening [ms]	Closing [ms]	
12	NPT 3/8, NPT 1/2	2.5	0-10	106	38/18	20	60	0.9

Dimensions [mm]



Orifice [mm]	Ø D port conn. [inch]	C thread depth [mm]	A [mm]	B [mm]	E [mm]	F [mm]	G [mm]	H [mm]	I [mm]	K [mm]	L [mm]	M [mm]	N [mm]	SW [mm]
12	NPT 3/8	12	65	124.5	24	102	116	13.5	152	37.5	49	53	24.5	27
12	NPT 1/2	14	65	124.5	24	102	116	13.5	152	37.5	49	53	24.5	27

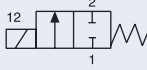
Materials



- ① Valve body: Gunmetal
- ② Seat ring: Gunmetal
- ③ Seat: SS (1.4571)
- ④ Seat seal: PTFE
- ⑤ Coil: Epoxy
- ⑥ Locknut: Surface Zn5glcA
- ⑦ Piston: SS (1.4021)
- ⑧ O-rings: FKM
- ⑨ Plunger seal: PTFE
- ⑩ Spring: SS (1.4310)
- ⑪ Stopper: SS (1.4105)

Ordering chart for valves (other versions on request)

All valves with gunmetal body, supplied without cable plug (see Accessories)

Circuit function	Orifice [mm]	C _v value water [gpm]	Pressure range [bar]	Port connection	Seal material	Voltage/frequency [V/Hz]	Item no.				
 <p>2/2-way valve NC</p>	12	2.5	0-10	NPT 3/8	PTFE	024/60	459 059				
						120/60	459 060				
						240/60	459 061				
								NPT 1/2	PTFE	024/60	459 062
										120/60	459 063
										240/60	459 064

Ordering chart for accessories (cable plug Type 2508 acc. DIN EN 175301-803 Form A)

The delivery of a cable plug includes the flat seal and the fixing screw (galvanised and chrome-plated): In the case of stainless steel valves, we recommend a cable plug with a stainless steel screw (see ordering chart, without circuitry)

Curcuitry/ version	Voltage	Item no.
Without curcuitry, standard	0-250 V AC/DC	008 376
Without curcuitry, SS screw	0-250 V AC/DC	132 445
Without curcuitry, silicone seal ■	0-250 V AC/DC	131 874
With LED	12-24 V AC/DC	008 360
With LED and varistor	12-24 V AC/DC	008 367
With LED	200-240 V AC/DC	008 362
With LED and varistor	200-240 V AC/DC	008 369
Further versions please see Datasheet Type 2508		

■ Silicone seal for higher temperatures; otherwise NBR flat seal

Cable plug Type 2508

