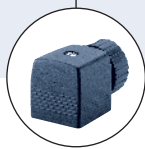


5/2 and 3/2-way Solenoid Valve for direct field mounting onto actuators



- 5 or 3-way function
- NAMUR flange interface
- Reduced power consumption
- Corrosion-resistant body for outdoor use
- Push-over solenoid coil
-

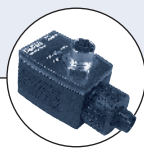
Type 6519 NAMUR can be combined with...



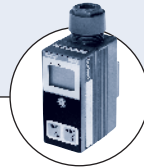
Type 2508
Cable plug



Type 1078
Timer unit



Type 2512/2511
ASI cable plug



Type 8600
Dosing control



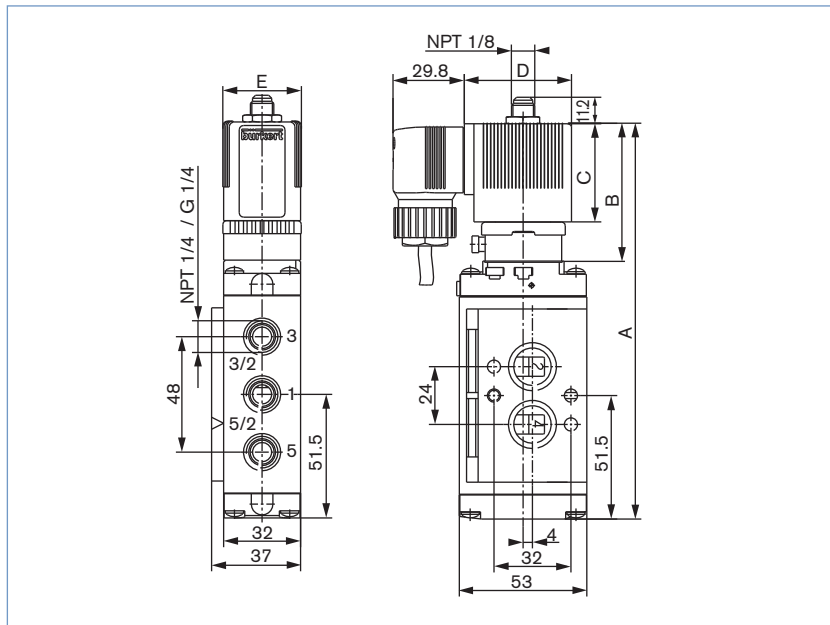
NAMUR valves

The Type 6519 Namur is a valve for plant technology that switches reliably even with full restriction. The valve can be operated as a 5/2 or 3/2-way valve through the various mounting positions of the changeover plate on the side.

Power consumption		
Inrush	Hold	
AC [VA]	AC [VA/W]	DC [W]
11	6/2	2

Technical data	
Orifice	DN 6.0 mm
Body material	Polyamide (PA)
Seal material	NBR and PUR
Thread insert material	Brass, nickel-plated or stainless steel
Media	Compressed air, nitrogen, instrument air
Media temperature	14°F to 122°F (-10°C to +50°C)
Ambient temperature	-13°F to 133°F (-25°C to +55°C)
Ambient conditions	Lightly aggressive, and fresh air
Port connection	Supply connections 1, 3, 5 Service port 2 and 4
	Threaded port NPT 1/4 Namur flange
Voltage tolerance	±10%
Duty cycle	100% continuous rating
Electrical connection	Standard
	Tag connector acc. to DIN 43650 Form A
Protection class	IP 65 with cable plug
Installation	As required, preferably with actuator upright

Dimensions [mm]



Ordering chart for valves (other versions on request)

All valves with changeover plate, manual override, various materials for the socket.

Standard valve with tag connector acc. to DIN 43 650 Form A, without cable plug (see Accessories)

Circuit function	Orifice [mm]	Q _N value air [l/min]	C _v	Seal material	Socket connection material	Pressure range [PSI]	Power consumption [W]	Voltage/frequency [V/Hz]	Item no.
H 5/2-way valve 	6.0	900	1.3	NBR and PUR	Brass, nickel-plated	29 - 116	2	024/DC	132 727
								024/60	420 843
								120/60	420 844
								240/60	420 845
C 3/2-way valve NC with air recirculation 	6.0	900	1.3	NBR and PUR	stainless steel	29 - 116	2	024/DC	458 411
								024/50-60	458 410
								110/50-60	458 412
								230/50-60	458 413

■ If the connectors are from stainless steel, the mounting screws will also be from stainless steel.

■ UL listed / FM Class 1, Div 2 / CSA / CE available on request.

The valves are supplied in the 5/2-way function. The 3/2-way function can be set up by replacing the enclosed adapter plate.

Ordering charts for cable plug 2508

The delivery of a cable plug includes the flat seal and the fixing screw (galvanised and chrome-plated): In the case of stainless steel valves, we recommend a cable plug with a stainless steel screw (see ordering chart, without circuitry)

Voltage	Current rating	Item no. without cable
Without circuitry, 2 pins + protective earth		
0 to 250 V/AC/DC mounting screw (standard)	max. 6 A	008 376
0 to 250 V/AC/DC with st. steel screw	max. 6 A	132 445
Without circuitry, 3 pins + protective earth		
0 to 250 V/AC/DC	max. 6 A	008 526
With LED		
12 to 24 V/AC/DC	max. 6 A	008 360
100 to 120 V/AC/DC	max. 6 A	008 361
200 to 240 V/AC/DC	max. 6 A	008 362
With rectifier, varistor and LED ■		
12 to 24 V/AC/DC	max. 1 A	008 363
100 to 120 V/AC/DC	max. 1 A	008 365
200 to 240 V/AC/DC	max. 1 A	008 366

■ With DC, ensure correct polarity.

The delivery of a cable plug includes the flat seal and fixing screw.

Voltage	Current rating	Item no. without cable
With LED and varistor		
12 to 24 V /AC/DC	max. 6 A	008 376
100 to 120 V /AC/DC	max. 6 A	008 368
200 to 240 V/AC/DC	max. 6 A	008 369
With varistor		
12 to 24 V/AC/DC	max. 6 A	008 370
100 to 120 V/AC/DC	max. 6 A	008 371
200 to 240 V/AC/DC	max. 6 A	008 372
With pole protection, rectifier and LED		
12 to 24 V/DC	max. 1 A	008 373
With pole protection and rectifier		
12 to 240 V/DC	max. 1 A	008 375
With rectifier and varistor		
12 to 240 V/AC/DC	max. 1 A	008 374