

2/2- and 3/2-Way Rocker Solenoid Valve



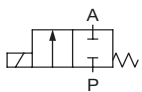
- Direct acting
- Hermetic isolation of fluid from the actuator
- 145 PSI (0 to 10 bar)
- Orifice 5/64 to 1/8 (2 or 3 mm)
- Manual override standard

DTS 1000082576 EN Version: A Status: RL (released | freigegeben | valide) printed: 16.07.2008

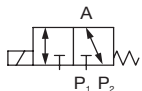
The 6608 analytical solenoid valve combines all state of the art features in a compact design.

With high reliability, virtually no heat transfer between fluid and coil, low internal volume and Burkert's expertise in supplying customized solutions, these valves are a perfect fit even for the most demanding applications.

Circuit function A 2/2-way valve,
direct acting,
normally closed



Circuit function T 3/2-way valve,
direct acting,
universal function,
any flow direction



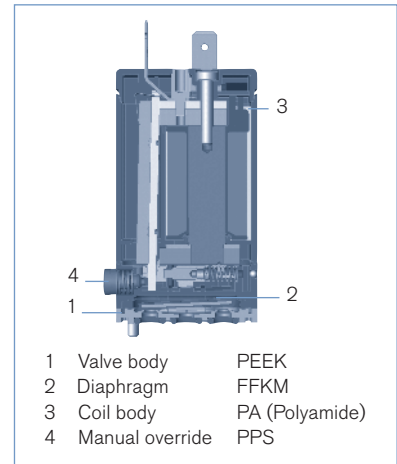
Other circuit functions on request.

Technical data	
Body material	PEEK
Seal material	FFKM
Fluids	resistant to neutral and aggressive gases and liquids according our chemical resistance chart; technical vacuum
Fluid temperature	32°F up to 158°F (0°C up to +70°C)
Ambient temperature	32°F up to 140°F (0°C up to +60°C)
Max. Viscosity	approx. 21 mm ² /s
Port connection	Manifold mount NPT 1/8 thread G 1/8 thread
Nominal voltage	12 V DC, 24 V DC other voltages on request
Voltage tolerance	± 10%
Power consumption	5 W
Duty cycle	100% continuously rated
Electrical connection	Rectangular plug flying leads, 500 mm
Manual override	standard
Installation	any, preferred with coil upwards
Protection class	IP40

Burkert Contromatic USA
2602 McGaw Avenue
Irvine, CA 92614
Tel. 949.223.3100
Fax 949.223.3198
www.burkert-usa.com

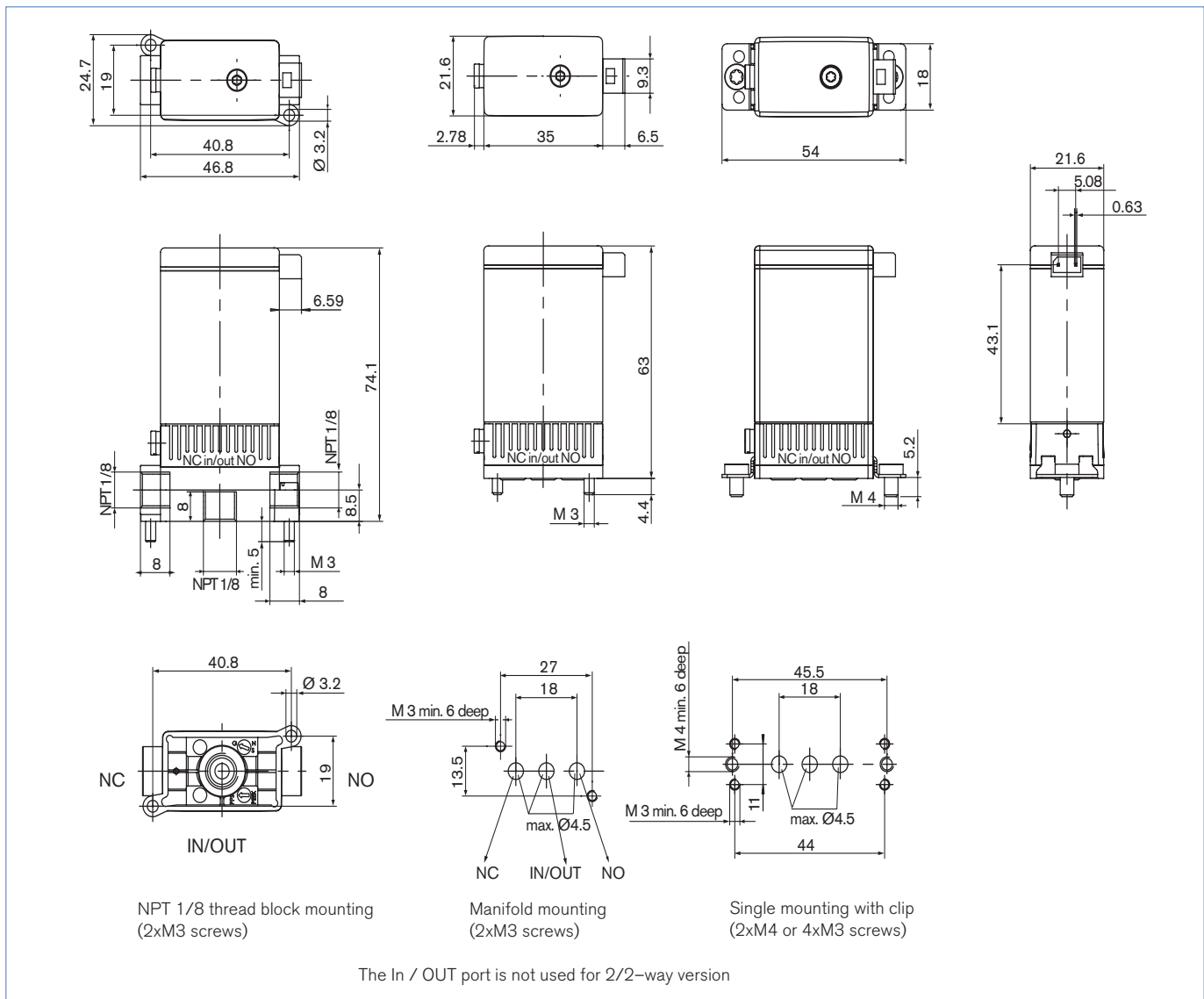
Response times

Circuit Function	Orifice DN [INCH]	C _v -value water [GPM]	Q _{Nm} -value air [1/min]	Pressure range [PSI] ¹⁾	Response times	
					Opening [ms]	Closing [ms]
A	5/64	0.13	104	145	18	8
	1/8	0.19	170	43	18	8
T	5/64	0.13	119	72	18	8
	1/8	0.21	195	29	18	8



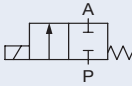
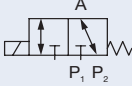
- Flow rate C_v-value water [GPM]:
 Measured at 68°F (+20°C), 14 PSI (1 bar) pressure to atmosphere
- Response times [ms]:
 Measured at valve outlet at 43 PSI (3 bar) and 68°F (+20°C) according to ISO 12238
 Opening Pressure rise from 0 – 10%
 Closing Pressure drop from 100 – 90%
- Pressure ranges [PSI]:
 Measured at overpressure to the atmospheric pressure

Dimensions [mm]



DTS 1000082576 EN Version: A Status: RL (released | freigegeben | validé) printed: 16.07.2008

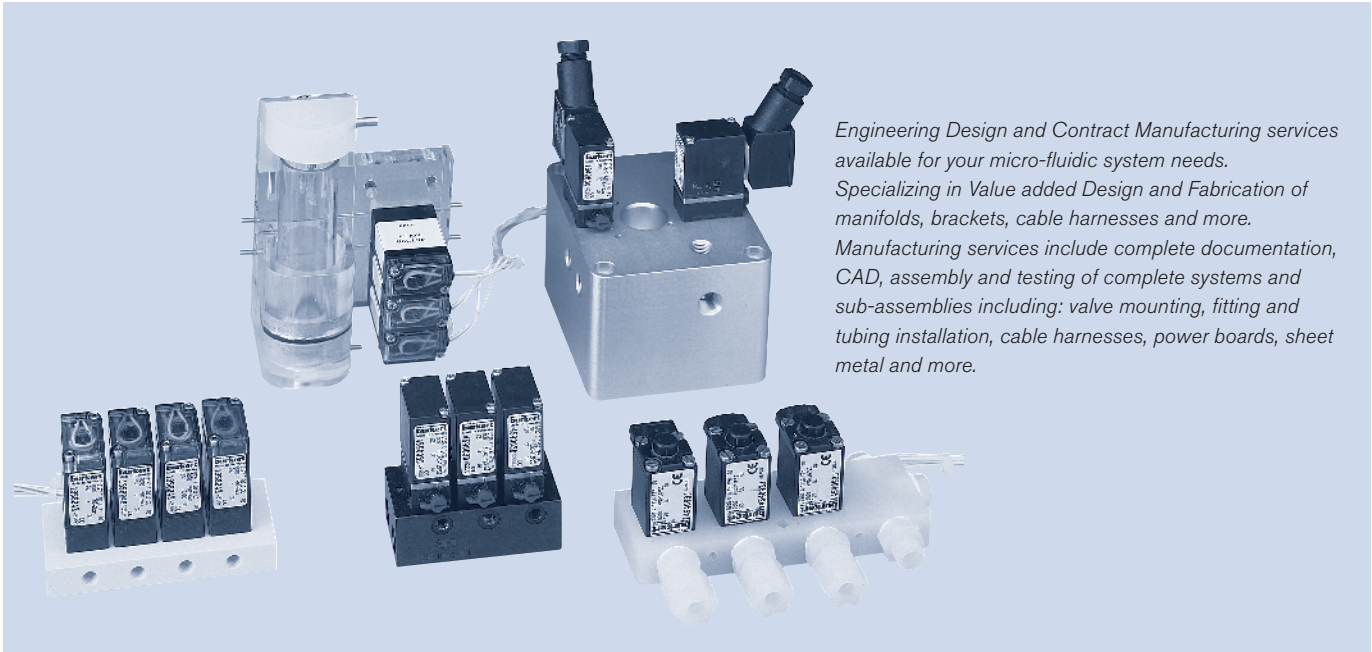
Dimensions [mm]

Circuit function	Orifice DN [inch]	Body material	Seal material	Voltage [V]	Port connection	Electrical connection	Item no.
A 	5/64 in (2.0 mm)	PEEK	FFKM	12/DC	Sub-base	rectangular plug	160 730
						leads, 500 mm	160 741
					NPT 1/8 thread	rectangular plug	160 829
				G 1/8 thread	rectangular plug	160 742	
				24/DC	Sub-base	rectangular plug	160 743
						leads, 500 mm	160 744
	NPT 1/8 thread	rectangular plug	160 830				
	G 1/8 thread	rectangular plug	160 745				
	1/8 in (3.0 mm)	12/DC	PEEK	FFKM	Sub-base	rectangular plug	160 746
						leads, 500 mm	153 135
					NPT 1/8 thread	rectangular plug	160 831
		G 1/8 thread	rectangular plug	160 747			
24/DC		Sub-base	rectangular plug	150 825			
			leads, 500 mm	150 826			
	NPT 1/8 thread	rectangular plug	160 832				
G 1/8 thread	rectangular plug	160 748					
T 	5/64 in (2.0 mm)	PEEK	FFKM	12/DC	Sub-base	rectangular plug	160 749
						leads, 500 mm	160 750
					NPT 1/8 thread	rectangular plug	160 833
				G 1/8 thread	rectangular plug	160 751	
				24/DC	Sub-base	rectangular plug	160 752
						leads, 500 mm	160 753
	NPT 1/8 thread	rectangular plug	160 834				
	G 1/8 thread	rectangular plug	160 754				
	1/8 in (3.0 mm)	12/DC	PEEK	FFKM	Sub-base	rectangular plug	160 755
						leads, 500 mm	159 356
					NPT 1/8 thread	rectangular plug	160 835
		G 1/8 thread	rectangular plug	160 756			
24/DC		Sub-base	rectangular plug	150 797			
			leads, 500 mm	149 485			
	NPT 1/8 thread	rectangular plug	160 836				
G 1/8 thread	rectangular plug	160 757					

- Scope of delivery for rectangular plug version **exclusive** connector (please see list of accessory)
- Manual override as standard

Dimensions [mm]

Description	Item no.	
Rectangular plug 5.08 mm	3 m cable	133 486
	300 mm leads	644 068
	2m leads add	148 578
	single contacts for manifold mounting	644 067
Mounting brackets for single valve mounting (set contains 10 clips and 10 screws M4x6)	648 231	



Engineering Design and Contract Manufacturing services available for your micro-fluidic system needs. Specializing in Value added Design and Fabrication of manifolds, brackets, cable harnesses and more. Manufacturing services include complete documentation, CAD, assembly and testing of complete systems and sub-assemblies including: valve mounting, fitting and tubing installation, cable harnesses, power boards, sheet metal and more.