

Pressure Transmitter for general applications, 30" Hg Vacuum - 400 PSI



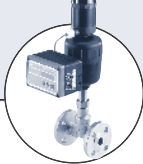
- Piezoresistive or thin film sensor element
- Available with flush diaphragm standard or acc. to EHEDG
- Housing and wetted parts in corrosion-resistant stainless steel
- Standard signal 4–20 mA for connection to automation-systems
- Plug for quick installation and service

Type 8323 can be combined with...



Type 2702 (8630)

Control valve with TopControl



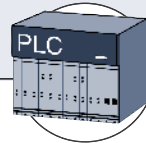
Type 2712 (1067)

Control valve with SideControl



Type 8624-2

PI Pressure Controller



PLC

This pressure transmitter is designed to cover the majority of industrial applications in the field of industrial pressure measurement technology. High accuracy, compact design, robust construction and flexibility make this instrument

universal and suitable for different measurement functions. For technical reasons piezoresistive sensor element is used for measuring ranges up to 232 PSI and thin film sensor element for the measuring range of 363 PSI and above. Wetted

parts are made of stainless steel and completely welded. Internal seal elements, which could restrict the choice of measuring materials, are excluded.

Technical data

Pipe diameter	Any pipe with sensor connection NPT 1/2" , G 1/2"	Temperature coefficient in compensated T° range Average Tc of zero Standard Flush Diaphragm version Average Tc of Span	≤ 0.2% of F.S.* / 10K ≤ -0.2...+0.3% of F.S.* / 10K ≤ 0.2% of F.S.* / 10K
Standard version		Sensor element	piezo (≤16bar) / thin film (25 bar)
Flush Diaphragm version	G 1" B with O-ring (range up to 23 PSI) G 1/2" B with O-ring (range >23 PSI) G 1" B for EHEDG (all ranges) (Weld-on socket with connection G1/2"B, G1"B)	Materials	
Measuring range (Pressure reference= relative pressure [atmospheric])	30" Hg Vac to 400 PSI (>400 PSI available upon request)	Housing	Stainless steel 304Ti (1.4301)
Accuracy	≤ 0.5% of F.S.* (2-point calibration) ¹⁾ ≤ 0.25% of F.S.* (Best fit calibration, BFS _L) ¹⁾	Wetted parts	Stainless steel 316 Ti (1.4571) Stainless steel 316 Ti (1.4571), FKM seal Synthetic Oil (only for pressure range up to 230 PSI or for flush diaphragm units), FDA approved
Hysteresis	≤ 0.1% of F.S.*	Standard version	
Repeatability	≤ 0.05 % of F.S.*	Flush diaphragm version	
1-year stability	≤ 0.2 % of F.S.* (at reference conditions)	Internal transmitting liquid	
Medium temperature		Weight	approx. 0.44 lbs
Standard version	-22°F to 212°F (-30°C to +100°C)	Voltage supply (Vs)	10–30 VDC
Flush Diaphragm stand.version	-22°F to 212°F (-30°C to +100°C)	Reversed polarity of DC	Protected
Flush Diaphragm EHEDG version	-4°F to 302°F (-20°C to +150°C)	Overvoltage protection	Yes
Ambient temperature		Short circuit protection	Yes
Standard version	-4°F to 176°F (-20°C to +80°C)	Output	4–20 mA, 2 wires
Flush Diaphragm stand.version	-4°F to 176°F (-20°C to +80°C)	Load Ra max.	Ra[Ω] ≤ (Vs[V] - 10[V]) / 0.02 [A]
Flush Diaphragm EHEDG version	-4°F to 176°F (-20°C to +80°C)	Adjustability : Zero/span	± 10%
Storage temperature		Response time (10–90%)	≤ 1 ms
Standard version	-40°F to 212°F (-40°C to +100°C)	Electrical connections	4 pin L-Plug per DIN 43650
Flush Diaphragm stand.version	-40°F to 212°F (-40°C to +100°C)	Protection class	IP65
Flush Diaphragm EHEDG version	-20°F to 212°F (-4°C to +100°C)	Standards	
Compensated T° range	-32°F to 176°F (0°C to +80°C)	EMC	EN 50081–1, 50081–2, 50082–2
Application		Shock resistance	IEC 770, 1000g (mechanical shock)
Media	All media like water, air, steam, light corrosive fluids and gases (version with Ex-Certificate).	Vibration resistance	IEC 770, 2g (vibration under resonance)
Areas of Application	Pressure measurement and control both in process and utilities at industrial plants like distribution of water and gas. Monitoring of pumps and filters through valve control.		

* F.S. = Full scale

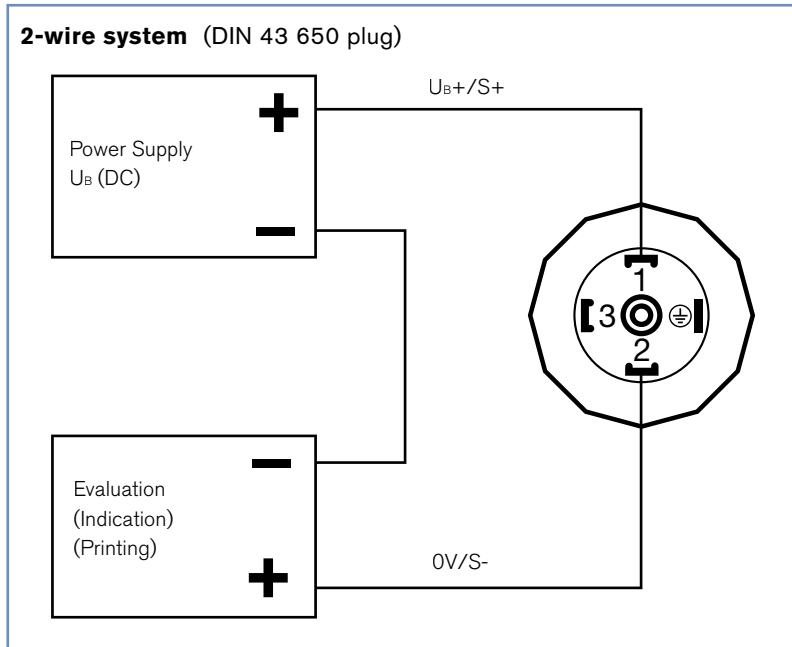
¹⁾ calibrated in vertical mounting position with pressure connection bottom

Ordering chart for Type 8323 (other versions on request)

Output Signal [mA]	Power Supply [V]	Measuring Ranges [PSI]	Item no.
4-20 mA	10-30 VDC	30" - 0" Hg VAC	US06219
4-20 mA	10-30 VDC	30" - 0-30 PSI	US07157
4-20 mA	10-30 VDC	0 - 50 IN WC	US65109
4-20 mA	10-30 VDC	0 - 100 IN WC	US62543
4-20 mA	10-30 VDC	5.0 PSI	417 744 V
4-20 mA	10-30 VDC	10.0 PSI	417 745 W
4-20 mA	10-30 VDC	15.0 PSI	417 746 X
4-20 mA	10-30 VDC	25.0 PSI	417 747 Y
4-20 mA	10-30 VDC	30.0 PSI	417 748 H
4-20 mA	10-30 VDC	50.0 PSI	417 749 A
4-20 mA	10-30 VDC	60.0 PSI	417 750 F
4-20 mA	10-30 VDC	100.0 PSI	417 751 U
4-20 mA	10-30 VDC	160.0 PSI	417 752 V
4-20 mA	10-30 VDC	200.0 PSI	417 753 W
4-20 mA	10-30 VDC	250.0 PSI	417 754 X
4-20 mA	10-30 VDC	300.0 PSI	417 755 Y
4-20 mA	10-30 VDC	400.0 PSI	417 756 Z

DTS 1000082589 EN Version: - Status: RL (released | freigegeben | valide) printed: 13.08.2008

Electrical connection



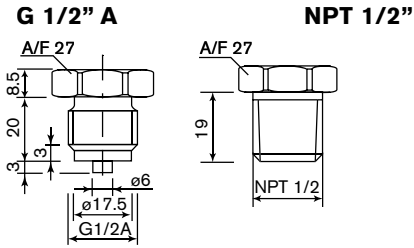
Ordering chart for Accessories and fittings for Type 8323

Description	Item no. (standard)
Weld-on adaptor for Type 8323 flush diaphragm version G 1/2"	443 295
Weld-on adaptor for Type 8323 flush diaphragm version G 1"	444 137
Weld-on adaptor for Type 8323 flush diaphragm version G 1" (EHEDG Version)	443 296

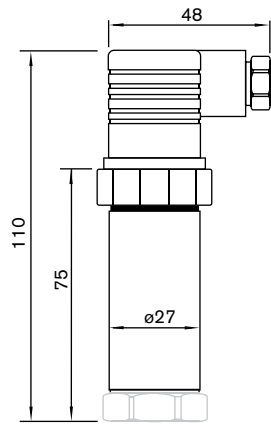
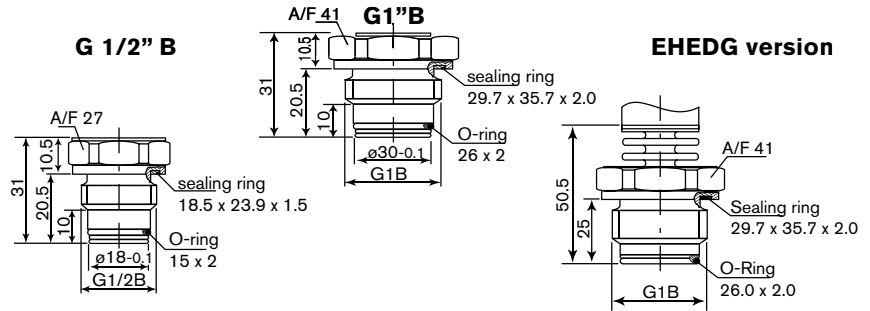
Has to be ordered separately

Dimensions [mm]

Pressure connection
Standard version



Flush Diaphragm version



Socket for Pressure connection
Flush Diaphragm version

