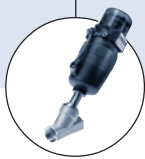




- High accuracy ($\leq 0.15\%$)
- With optional display
- Scaleable measuring ranges via Turn-Down of up to 1:20
- Output signal 4–20 mA, 2–Wire
- Food/Pharma versions (acc. to EHEDG)

Type 8326 can be combined with...



Type 2702 (8630)

Control valve with
TopControl



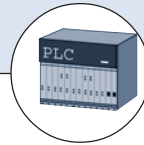
Type 2712 (1067)

Control valve with
SideControl



Type 8624-2

PI-Pressure
Controller



PLC

This pressure transmitter is designed to cover the applications where high accuracy measurement is required.

Typical applications are in the food and pharma industry and for level measurement. The transmitter can easily be programmed with the 4 keypad.

Technical data

Pressure connection	Standard version Flush Diaphragm version EHEDG version	NPT 1/2", G 1/2" G 1/2" G 1"	Adjustability	Zero point Span	0 up to 99% turn down of 1:20
Measuring range	Standard version Flush Diaphragm version EHEDG version	0 up to 5.8, 23.0, 232 or 580 PSI 0 up to 5.8, 87, 232 or 580 bar 0 up to 5.8, 23.0 or 232 bar	Electrical connections	Maximum Load	RA [Ω] $\leq (V_s[V] - 12V) / 0.023 [A]$ Internal terminal through cable gland M20 x 1.5
Accuracy**		$\leq 0.15\%$ of span	Protection class		IP65
Behaviour with Turn-down	Turn-down < 1:5 Turn down 1:5 to 1:20	no change accuracy the accuracy must be multiplied by the factor (turn down/5)	Standards	EMC Vibration Shock	EN 50081-1, 50081-2, 50082-2 IEC 770, 5g IEC 770, 100g
Repeatability		$\leq 0.05\%$ of span	** included calibration error with zero, and span, hysteresis and linearity, calibrated in vertical mounting position with the pressure connection facing down.		
Medium temperature		-22°F to 221°F (-30°C to +105°C)			
Ambient temperature		-40°F to 185°F (-40°C to +85°C)(without display) -4°F to 158°F (-20°C to +70°C) (with display)			
Sensor element		piezo (≤ 16 bar) / thin film (40 bar)			
Materials	Housing Wetted parts	PBT (fiberglass-enforced plastic)			
	Standard version Flush diaphragm version EHEDG version	316 Stainless steel 316 Stainless steel, FKM seal 316 Stainless steel, EPDM seal			
Weight		approx. 1.5 lb			
Voltage supply (Vs)		12–36 VDC			
Reversed polarity of DC		Protected			
Overvoltage protection		Yes			
Short circuit protection		Yes			
Output		4-20 mA, 2 wires			

Specifications – Ordering chart (other versions on request) for Type 8326

Pressure range* [PSI]	Pressure Max. [PSI]	Bursting Pressure [PSI]	Power Supply	Seal Material	Item-No. for corresponding Sensor connection			
					With Display		Without Display	
					G 1/2	NPT 1/2	G 1/2	NPT 1/2
Standard version								
0 - 5.8	29	29	12 - 36 VDC	-	443 281 Y	443 285 U	443 320 A	443 324 S
0 - 23.0	145	145	12 - 36 VDC	-	443 282 Z	443 286 V	443 321 X	443 235 T
0 - 230	1160	1160	12 - 36 VDC	-	443 283 S	443 287 W	443 322 Y	443 326 U
0 - 580	1160	1450	12 - 36 VDC	-	443 284 T	443 288 F	443 323 Z	443 327 V
Flush Diaphragm version					G 1/2		G 1/2	
0 - 6.0	35	35	12 - 36 VDC	FKM	443 289 G	-	443 328 E	-
0 - 16.0	80	80	12 - 36 VDC	FKM	443 290 D	-	443 329 F	-
0 - 40.0	80	400	12 - 36 VDC	FKM	443 291 S	-	443 330 C	-
Flush Diaphragm version					G 1		G 1	
0 - 0.4	2	2	12 - 36 VDC	FKM	448 315 E	-	-	-
EHEDG version								
0 - 0.4	2	2	12 - 36 VDC	EPDM	443 292 T	-	443 331 Z	-
0 - 1.6	10	10	12 - 36 VDC	EPDM	443 293 U	-	443 332 S	-
0 - 16.0	80	80	12 - 36 VDC	EPDM	443 294 V	-	443 333 T	-

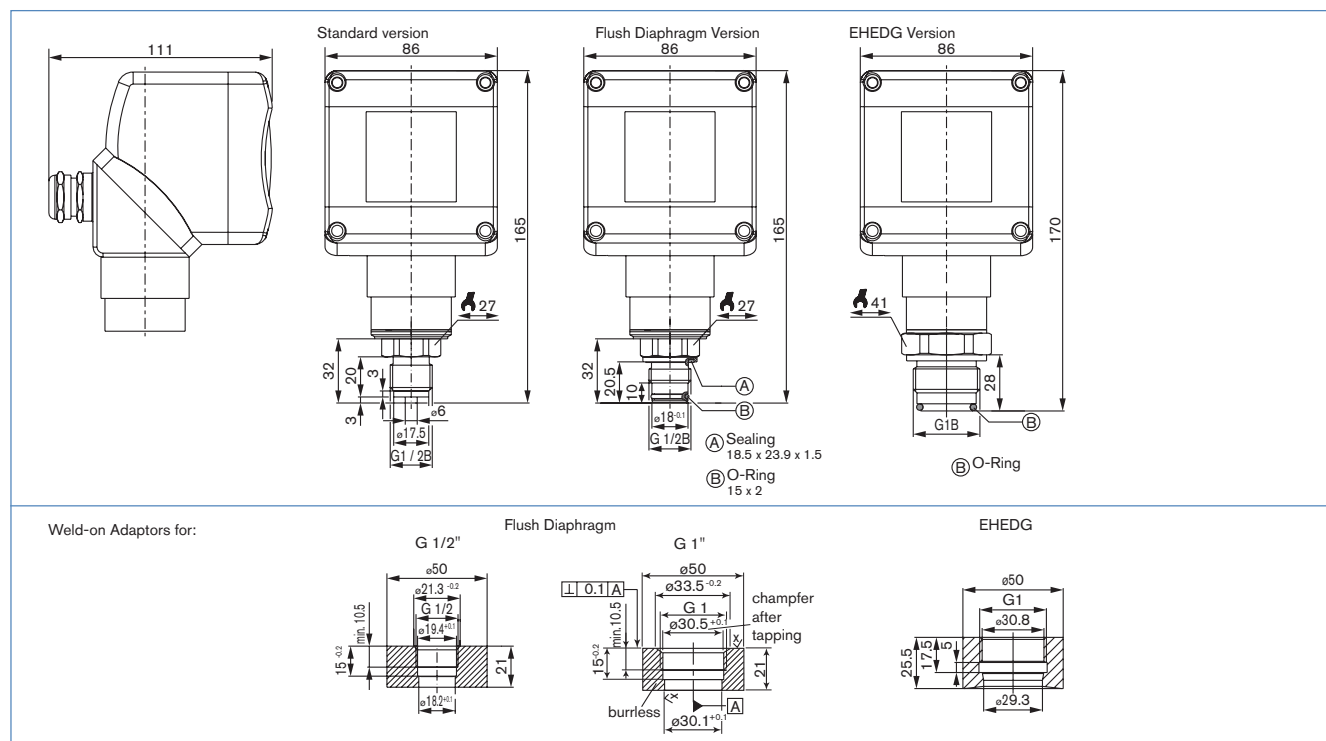
*Other pressure range on request

Ordering chart for Accessories for Type 8326

Description	Item-No (standard)
Weld-on adaptor for type 8326 flush diaphragm version G1/2"	443 295 W
Weld-on adaptor for type 8326 flush diaphragm version G1"	444 137 Q
Weld-on adaptor for type 8326 EHEDG version	443 296 X

Has to be ordered separately

Dimensions [mm]



In case of special application conditions, please consult for advice.

We reserve the right to make technical changes without notice.

0602/3_US-en